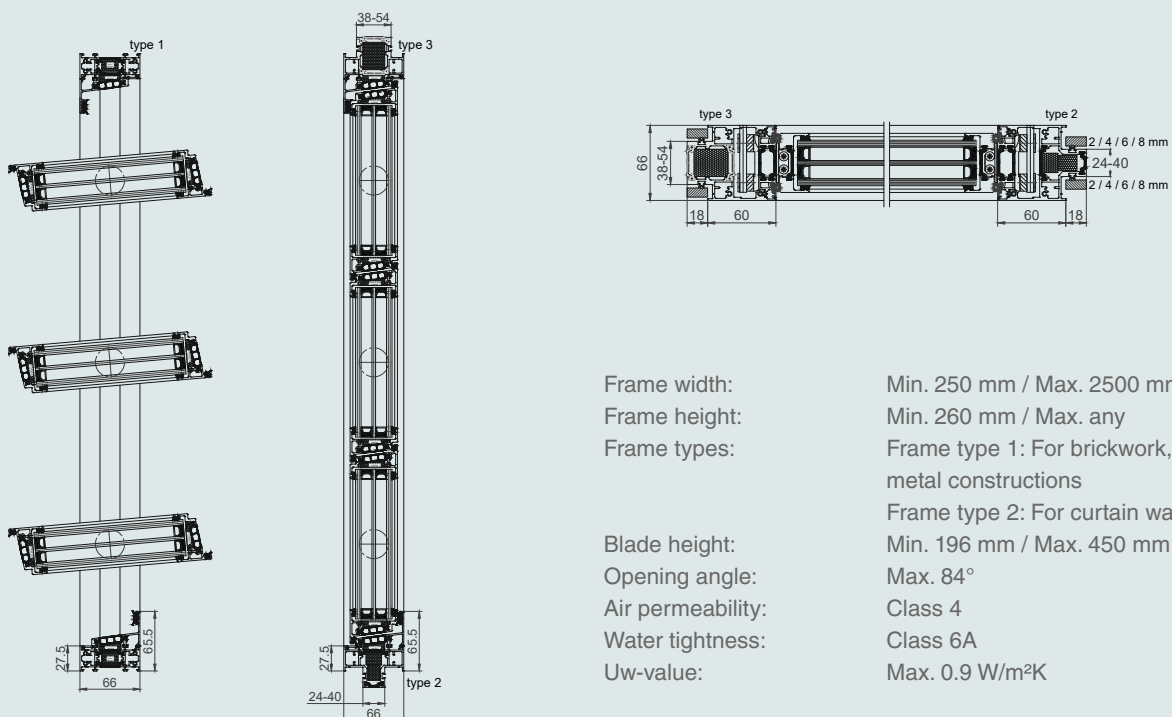




# Tairmo<sup>®</sup>

Our premium product for improved heat insulation with framed louvres

The HAHN Louvre Window Tairmo was the first louvre window with  $U_w$  heat insulation value of up to  $0.9 \text{ W/m}^2\text{K}$ . This innovation of the Tairmo system is based on aluminium extrusions with large thermal breaks, insulated cores to the profiles and the exclusive use of triple glazing utilising 'warm edges' as spacers. Tested and certified for Natural ventilation (EN 14351-1), Smoke ventilation (EN 12101-2), Ball protection safety (DIN 18032-3), Burglar resistant (DIN EN 1627), Sound insulation (EN ISO 717-1) and Fall protection (DIN 18008-4).



Frame width:	Min. 250 mm / Max. 2500 mm
Frame height:	Min. 260 mm / Max. any
Frame types:	Frame type 1: For brickwork, timber, metal constructions Frame type 2: For curtain wall
Blade height:	Min. 196 mm / Max. 450 mm
Opening angle:	Max. 84°
Air permeability:	Class 4
Water tightness:	Class 6A
$U_w$ -value:	Max. $0.9 \text{ W/m}^2\text{K}$

