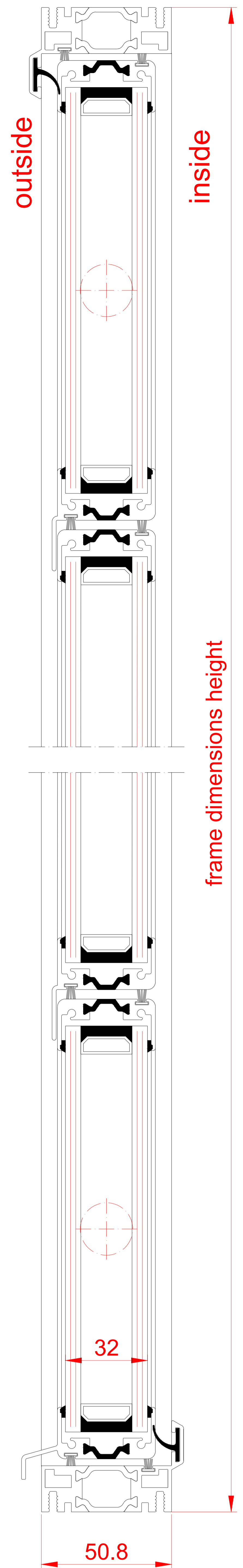
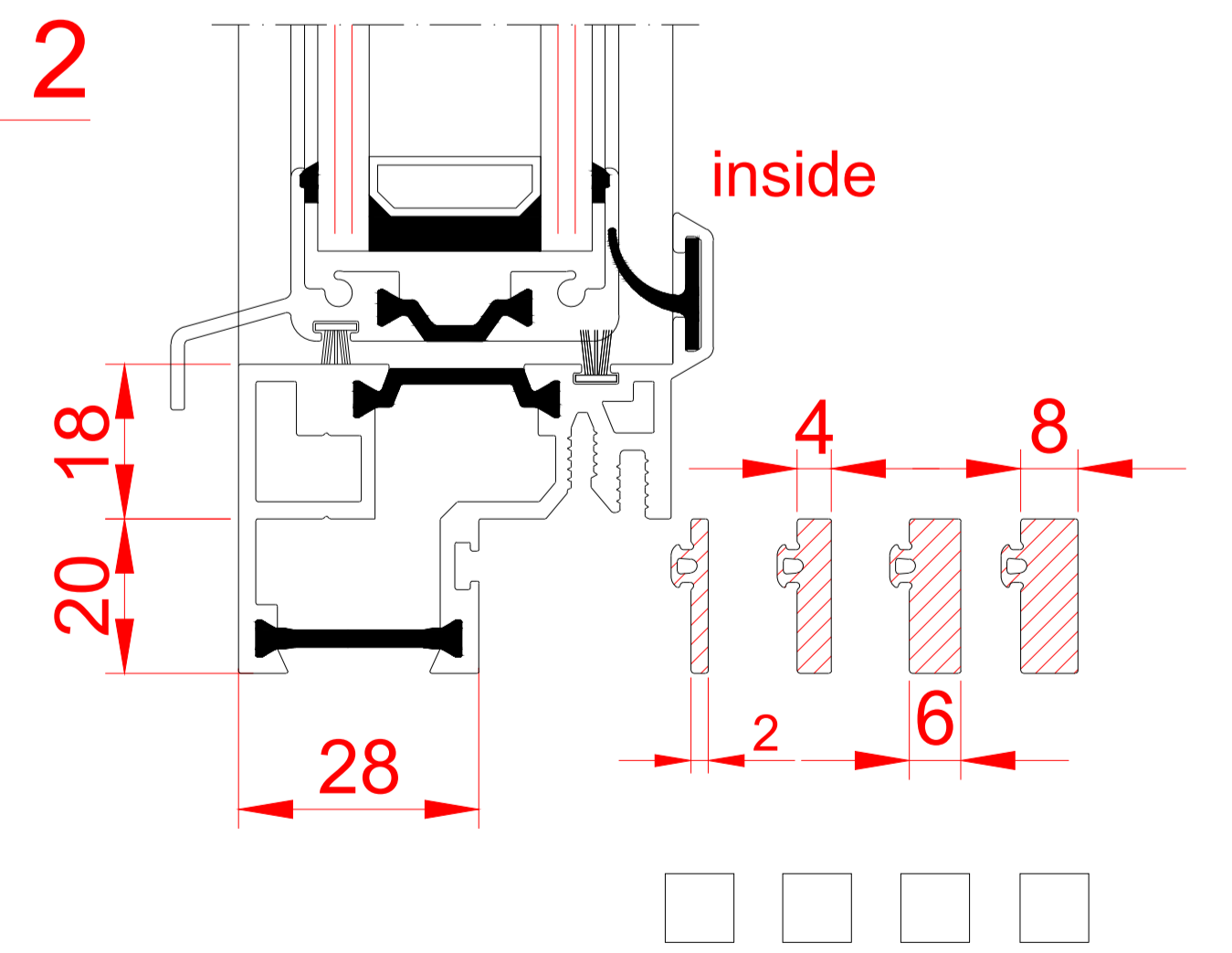


status:		<input type="checkbox"/> enquiry	<input type="checkbox"/> order	
project number:		purchase order:		
project manager:		phone number:		
desired delivery date:		date:		
project:				
delivery address:				
contact person on site:				
Pos.:	01	02	03	
no.:				
frame dimensions	width: (mm)			
	height: (mm)			
	type of frame: <input type="checkbox"/> type 1 <input type="checkbox"/> type 2 <input type="checkbox"/> type 3 thickness: _____mm (see detail glazingprofile)	<input type="checkbox"/> type 1 <input type="checkbox"/> type 2 <input type="checkbox"/> type 3 thickness: _____mm (see detail glazingprofile)	<input type="checkbox"/> type 1 <input type="checkbox"/> type 2 <input type="checkbox"/> type 3 thickness: _____mm (see detail glazingprofile)	
no. of blades:				
blade panel type	type of filling: <input type="checkbox"/> glazed <input type="checkbox"/> insulated blades	<input type="checkbox"/> glazed <input type="checkbox"/> insulated blades	<input type="checkbox"/> glazed <input type="checkbox"/> insulated blades	
	glass: <input type="checkbox"/> double glazing <input type="checkbox"/> triple glazing	<input type="checkbox"/> double glazing <input type="checkbox"/> triple glazing	<input type="checkbox"/> double glazing <input type="checkbox"/> triple glazing	
	glass design: standard: outer side: 6mm air space: 20mm inner side: 6mm	outer side: _____ mm air space: _____ mm inner side: _____ mm (air space: _____ mm inner side: _____ mm)	outer side: _____ mm air space: _____ mm inner side: _____ mm (air space: _____ mm inner side: _____ mm)	outer side: _____ mm air space: _____ mm inner side: _____ mm (air space: _____ mm inner side: _____ mm)
	type of glass:			
finish	finish: <input type="checkbox"/> powder coated <input type="checkbox"/> natural anodised	<input type="checkbox"/> powder coated <input type="checkbox"/> natural anodised	<input type="checkbox"/> powder coated <input type="checkbox"/> natural anodised	
	colour supplier & colourcode:			
controls	type of control: <input type="checkbox"/> manual <input type="checkbox"/> electric _____V <input type="checkbox"/> pneumatic	<input type="checkbox"/> manual <input type="checkbox"/> electric _____V <input type="checkbox"/> pneumatic	<input type="checkbox"/> manual <input type="checkbox"/> electric _____V <input type="checkbox"/> pneumatic	
	description:			
	cable length: (standard = 2,5m)	_____ m	_____ m	_____ m
	cable exit: (LAH 65 only) <input type="checkbox"/> top <input type="checkbox"/> bottom <input type="checkbox"/> side through frame	<input type="checkbox"/> top <input type="checkbox"/> bottom <input type="checkbox"/> side through frame	<input type="checkbox"/> top <input type="checkbox"/> bottom <input type="checkbox"/> side through frame	<input type="checkbox"/> top <input type="checkbox"/> bottom <input type="checkbox"/> side through frame
	control position: <input type="checkbox"/> position A (right side) <input type="checkbox"/> position B (left side) height _____ mm	<input type="checkbox"/> position A (right side) <input type="checkbox"/> position B (left side) height _____ mm	<input type="checkbox"/> position A (right side) <input type="checkbox"/> position B (left side) height _____ mm	<input type="checkbox"/> position A (right side) <input type="checkbox"/> position B (left side) height _____ mm
fixing brackets / special adaptor:				
smoke vents CE- certified: <input type="checkbox"/> yes <input type="checkbox"/> no		<input type="checkbox"/> yes <input type="checkbox"/> no	<input type="checkbox"/> yes <input type="checkbox"/> no	



Frame type 2



Frame type 3

